



Getinge Universal Frame

Innovative patient positioning

This document is intended to provide information to an international audience outside of the US.

GETINGE 



Getinge Universal Frame

The ideal addition to every operating table

Improved options in patient positioning: With the Universal Frame for patient positioning, Getinge delivers a whole new level of flexibility to surgical teams across a range of disciplines.

In combination with a Maquet Operating Table, the frame supports prone, supine and lateral patient positioning – while maximizing radiolucency for impeccable intra-operative imaging.

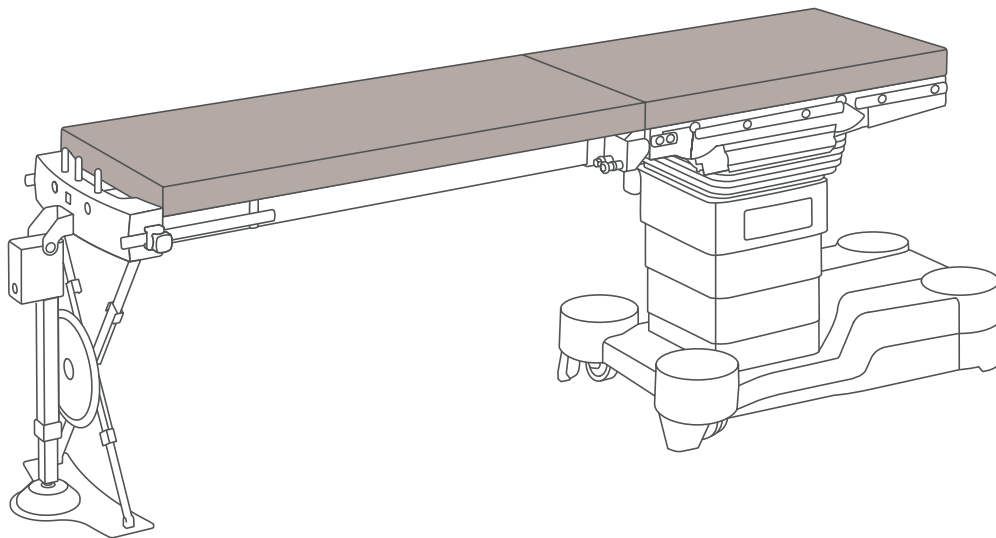
The benefits at a glance:

- Innovative patient positioning
- Multifunctional applications
- Exceptionally large X-ray area
- Quick and easy configuration
- Supports ergonomic working
- High stability



Flexibility and radiolucency

across multiple surgical disciplines



Orthopedics and
traumatology



Neurosurgery



Vascular surgery



Pediatrics



General surgery

The next level in patient positioning

The Universal Frame for patient positioning is designed to provide ergonomic support for nearly all surgical procedures in lateral, prone or supine positions. And because the main components of the frame are made of radiolucent material such as carbon fiber, it supports intraoperative imaging.

Continuous improvement

The Universal Frame is the next generation of the Maquet Spinal Frame. While the latter was designed specifically with spine surgery in mind, the new possibilities presented by the universal frame make it an attractive option for many disciplines.

Enhancing radiolucency and flexibility across disciplines

With the Universal Frame, hospitals benefit from a single device that supports a broad variety of procedures. The frame is compatible with almost all tables in the current Maquet portfolio.

Thanks to flexible positioning options and a slender design, it ensures excellent access to the patient. Plus, good radiolucency options make the frame particularly suitable for procedures where intraoperative imaging plays a key role.

Possibilities for patient positioning

The highlights at a glance



Long table top for an extra-large X-ray window



Short table top for better access to the cranial region



The positioning elements are laterally, vertically and horizontally adjustable.



The side rail clamp enables adaptation of additional accessories.

Getinge Universal Frame

The frame comprises two carbon-fiber bars and a stainless steel support foot. It can be easily attached to Maquet

Tables via the leg plate interface, and is highly stable once in place. Adding accessories is quick and hassle-free, and can be performed by one person if needed.

Adjustable positioning elements

Four positioning elements with SFC padding offer an innovative solution for the prone position. They can be adjusted individually in three planes – laterally, vertically and horizontally – providing precise support tailored to the patient's body and the surgical scenario. Moreover, the positioning elements are metal-free radiolucent and minimize the supporting surface under the spine.

Short and long table tops

Two table tops are available for the lateral, supine and prone positions, which include SFC padding that can be easily removed for cleaning. The short table top provides particularly good access to the head and throat, while the long table top creates an expansive imaging window for spine and abdominal procedures.

Additional accessories

By simply mounting the side rail clamp on the carbon-fiber bars, OR staff can attach accessories in line with their requirements.

Universal frame

A host of benefits



Knee-elbow position for spinal disc surgery



The long table top is well suited for pediatrics and vascular surgery.



The low minimum height supports ergonomic working conditions.

Multiple options for patient positioning

- Used for prone, supine and lateral positions
- Adjustable positioning elements can be adjusted in three planes for precise positioning in prone
- A wide range of accessories support procedures across multiple disciplines

Excellent radiolucency for intra-operative imaging

- Carbon-fiber bars and metal-free adjustable positioning elements and table tops ensure good radiolucency options whatever the patient position
- Streamlined frame design provides good access for C-arm, O-arm or 3D scanner during procedures
- Flat construction enables inlet and outlet imaging

Ergonomic working conditions

- Slender design and low minimum height provide excellent access to the patient, and allow the surgeon to work while seated if necessary
- Can be configured quickly and easily, by one person if required

High stability for better support

- The table tops support a proportional patient weight of 250 kg (551 lbs)
- The adjustable positioning elements support a proportional patient weight of up to 180 kg (396 lbs)
- Robust support foot ensures exceptional stability, whatever the position or patient weight

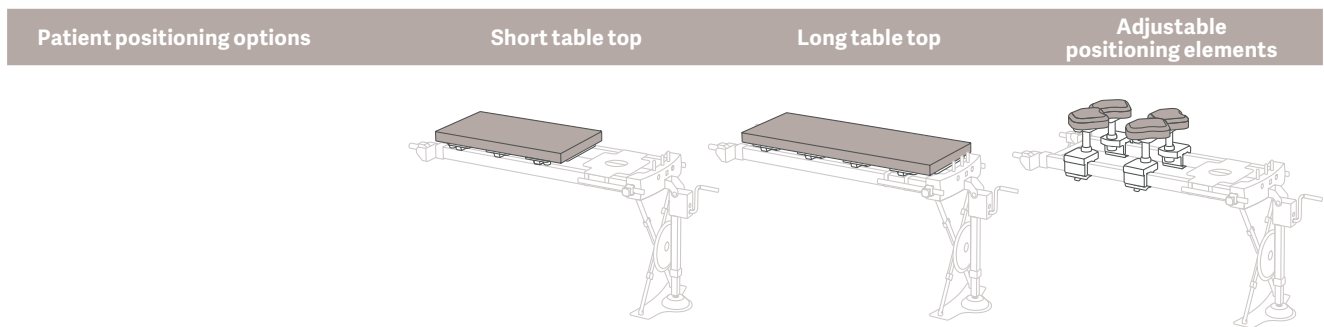
The basic package of the Universal Frame includes:

- 1 Universal Frame
- 1 head rest adapter
- 1 mirror
- 2 arm supports
- 1 perspex head rest
- 1 pair of adjustable side rails
- 1 side rail clamp
- 1 pair of adapters for table interface
- 1 trolley
- 1 filler piece

Technical specifications	
Max. overall load (adjustable positioning elements)	180 kg / 396 lbs
Max. overall load (table tops)	250 kg / 551 lbs
Net weight of universal frame	36 kg / 79.3 lbs
Dimensions	
Radiolucent length	AP = 1,400 mm / 55.1" 360° = 1,135 mm / 44.7"
Length of short table top	850 mm / 33.5"
Length of long table top	1,350 mm / 53.1"
Height adjustment (without padding)	600 - 900 mm / 23.6 - 34.4"
Height adjustment (adjustable positioning elements)	135 - 215 mm / 5.3 - 8.5"

Versions and accessories	
1007.24X1	Getinge Universal Frame
1007.25X0	Side rail clamp
1007.26A0	Short table top
1007.26B0	Long table top
1007.27A0	Adapter for Maquet Magnus
1007.28B0	Adjustable positioning elements
1007.29A0	Disposable covers for adjustable positioning elements
1007.30A0	Adapter for radiolucent spine surgery frame
1007.31A0*	Radiolucent spine surgery frame

* Allen Medical product



General surgery			
Supine position	●	●	
Pediatrics		●	●
Vascular surgery			
Supine position		●	
Interventions in the cranial area			
Supine position	●	●	
Lateral position	●	●	
Interventions in the cervical area			
Supine position	●	●	
Prone position	●	●	●
Park bench position	●		
Interventions in the spine area			
Supine position	●	●	
Prone position			●
Park bench position	●	●	
Interventions in the pelvis area			
Supine position		●	
Lateral position	●	●	



With a firm belief that every person and community should have access to the best possible care, Getinge provides hospitals and life science institutions with products and solutions aiming to improve clinical results and optimize workflows. The offering includes products and solutions for intensive care, cardiovascular procedures, operating rooms, sterile reprocessing and life science. Getinge employs over 10,000 people worldwide and the products are sold in more than 135 countries.

This document is intended to provide information to an international audience outside of the US.

Maquet GmbH · Kehler Str. 31 · 76437 Rastatt · Germany · +49 7222 932-0

www.getinge.com