



Meet your new teammate

Maquet Corin Mobile Operating Table

Intuitive, safe, smart and connected

GETINGE ✱

GETINGE ✱

Maquet Corin Mobile Operating Table Tomorrow's OR intelligence, available today

Maquet Corin is an intelligent guided mobile OR Table that can help to streamline processes in the daily routine of your surgical departments. Stay fully focused on patients knowing that your OR table is giving intuitive visual feedback that helps manage risks. Easily set up and position patients for optimized site access and ergonomics. In short, Maquet Corin is your new teammate which helps you to:

- + Facilitate teamwork and communication
- + Ensure protection of people and equipment
- + Save time
- + Stay flexible
- + Get connected



The new heart of your OR

Explore Maquet Corin

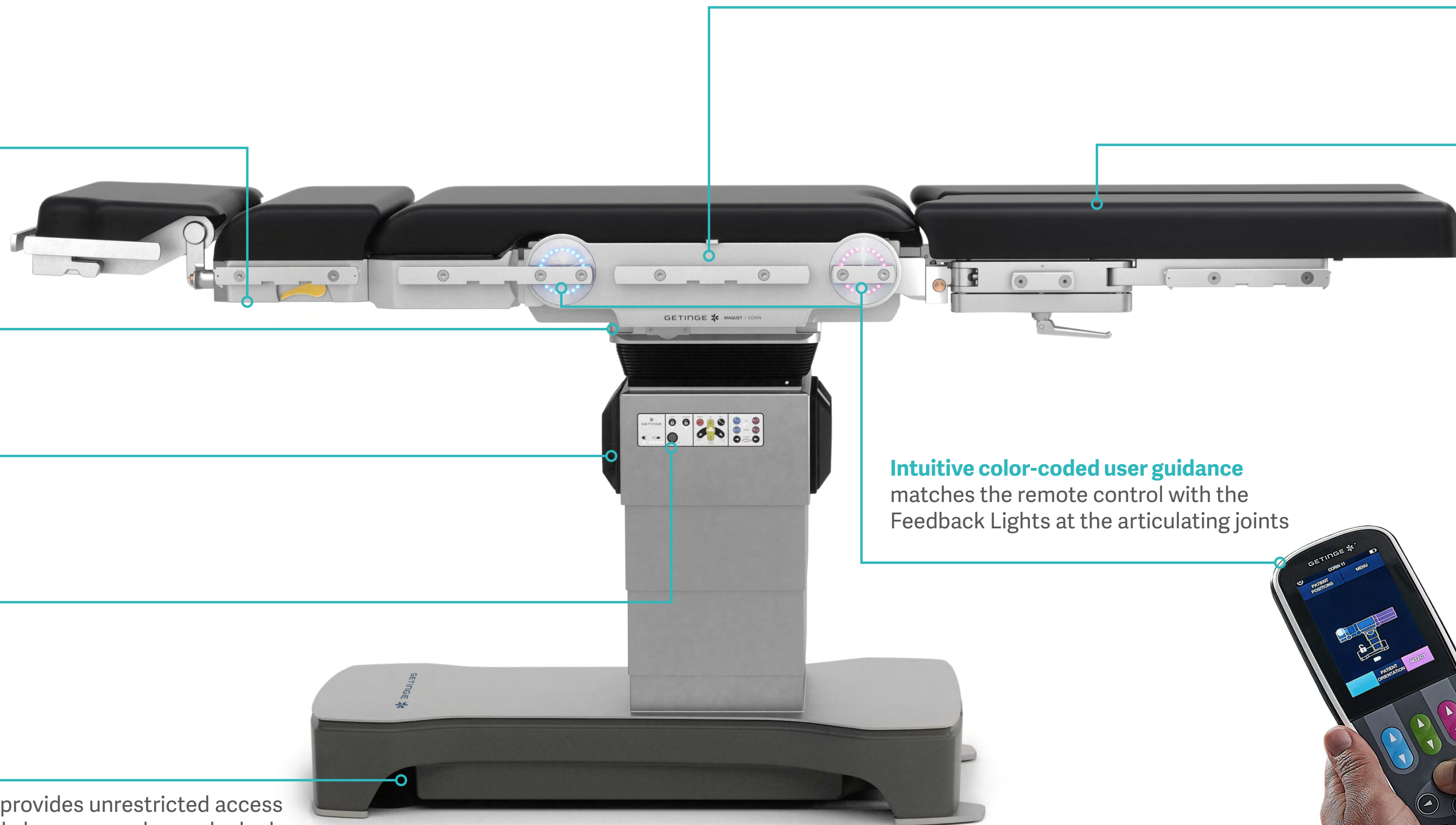
Immediate stop
when collision underneath
the table is detected

Bariatric surgery support
thanks to a load capacity
up to 1200 lbs

Advanced wireless connectivity
using an internal computer

Backup table controls
always available on the column

Designed for access and stability
Compact and concave table base provides unrestricted access
to the table and a secure and stable base even when unlocked



Streamlined positioning
with simultaneous
multidirectional adjustment

**Protection against
overloading the table**
is provided by integrated sensors

IPC or SFC pads
optimize patient comfort while
reducing costly complications

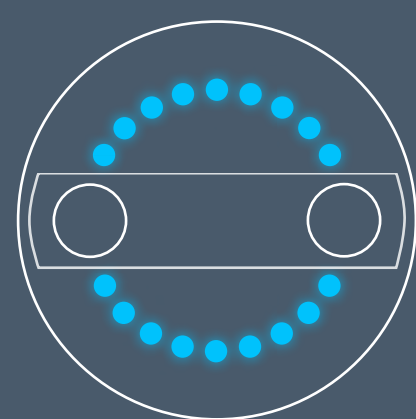
Intuitive color-coded user guidance
matches the remote control with the
Feedback Lights at the articulating joints

Safe patient positioning
thanks to tipping prevention

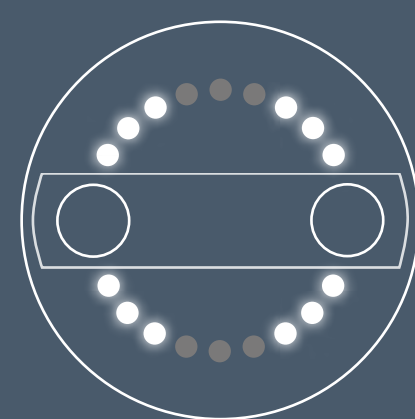
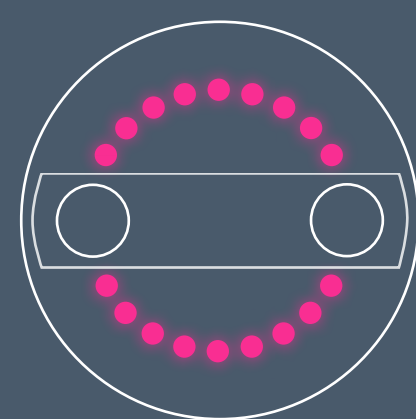


Let the colors communicate Clear messages keep you informed

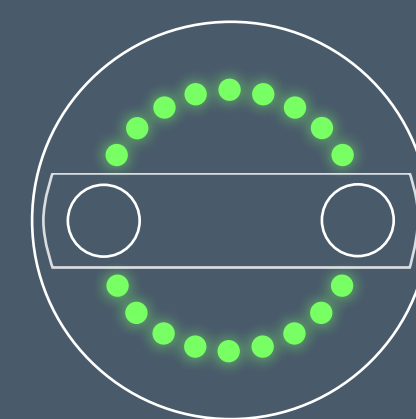
Maquet Corin facilitates teamwork and communication during a surgery. The Feedback Lights at all four table top joints provide immediate visual feedback for the whole surgical team and can be seen even when the OR table is draped.



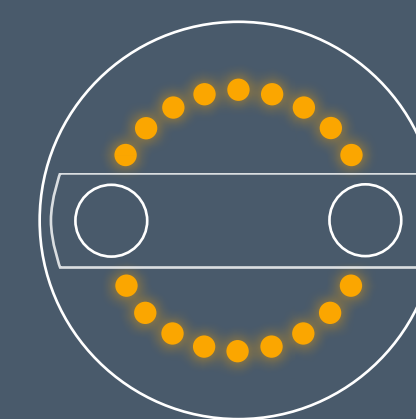
i Patient orientation information / indication of joint position even when draped



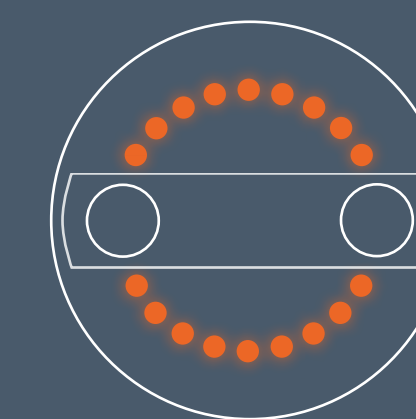
↔ Movement in process



✓ Target position reached



→| Movement limit reached



⚠ Warning



Clear color codes match between the controls and Feedback Lights at the joints.



Maquet Corin protects people and equipment Focus on your patient

Prevent wrong-way errors with intuitive controls like Feedback Lights and acoustic signals

- The collision detection system protects not only the OR team working around the operating table, but also all equipment often placed underneath the table, such as C-arms or patient warming systems.
- Overload detection protects the operating table against structural damage.
- The tipping prevention promotes safe patient positioning, even in unlock status or with your heaviest patients in bariatric surgery. The ability to adjust the table in an unlocked position provides flexibility for OR staff, and safety for patients during patient positioning.
- The decubitus timer helps you to remember when a patient needs to be re-positioned during a longer procedure.



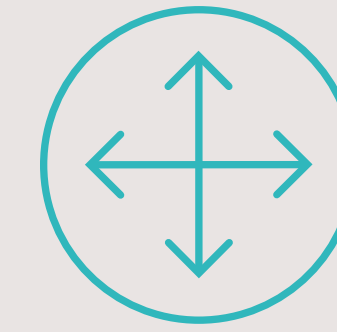


Benefit from time savings with Maquet Corin Support along your entire OR workflow

- Configure up to 30 pre-set positions: record your individual path for smooth patient positioning.
- Pre-set common surgical positions like beach chair, flex, reflex, back horizontal, and examination.
- Various simultaneous movement possibilities for a rapid and precise adjustment into procedure-relevant positions.
- Automatic recognition and indication of table top orientation via the Feedback Lights helps you to avoid mistakes, visible even through sterile draping.

Up to 40 individual steps programmable for each user sequence

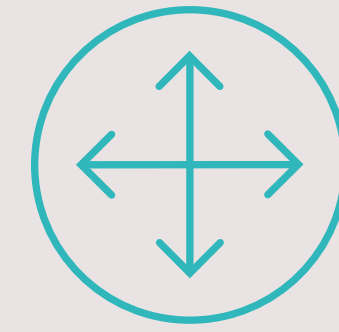




A wide range of possibilities Maquet Corin keeps you flexible

Maquet Corin is the one table that accommodates all specialties. It can be used for general surgery, as well as specialty disciplines like bariatric surgery

- Trendelenburg / reverse Trendelenburg up to 45°
- Lateral tilt up to 28°
- High combination of Trendelenburg and tilt: 30° / 20°
- Height adjustments from 22.8 to 44" for improved surgical ergonomics
- Simultaneous movements support rapid and precise adjustment into procedure-relevant positions:
 - Height and back plate / height and leg plate
 - Longitudinal shift and height
 - Trendelenburg and back plate movement
- Standardized accessory interface is compatible with existing Maquet OR table accessories for Maquet Meera, and Yuno II
- Access to hybrid and navigated procedures: thanks to the dedicated interface, Maquet Corin is also suitable for hybrid and navigated surgery as it allows the attachment of a carbon fiber plate to provide a long 3D radiolucent area and good access for mobile imaging devices as 3D C-arms and CT's.



A wide range of possibilities Maquet Corin keeps you flexible

Access to bariatric surgery

Turn your Maquet Corin OR Table easily into a bariatric one thanks to

- a load capacity of up to 1200 lbs
- a dedicated bariatric set for bariatric patients supported by an enlarged table top
- combined with extra thick and extra large pads (29.9" width).

In addition, arm boards and leg holders can be attached.



Get connected Device lifecycle management

In the operating room, with easy and fast access to online resources

- Instructions for use (IFU), HTML and PDF
- Resources and links
- OR table details and status



MAQUET CORIN MOBILE OPERATING TABLE

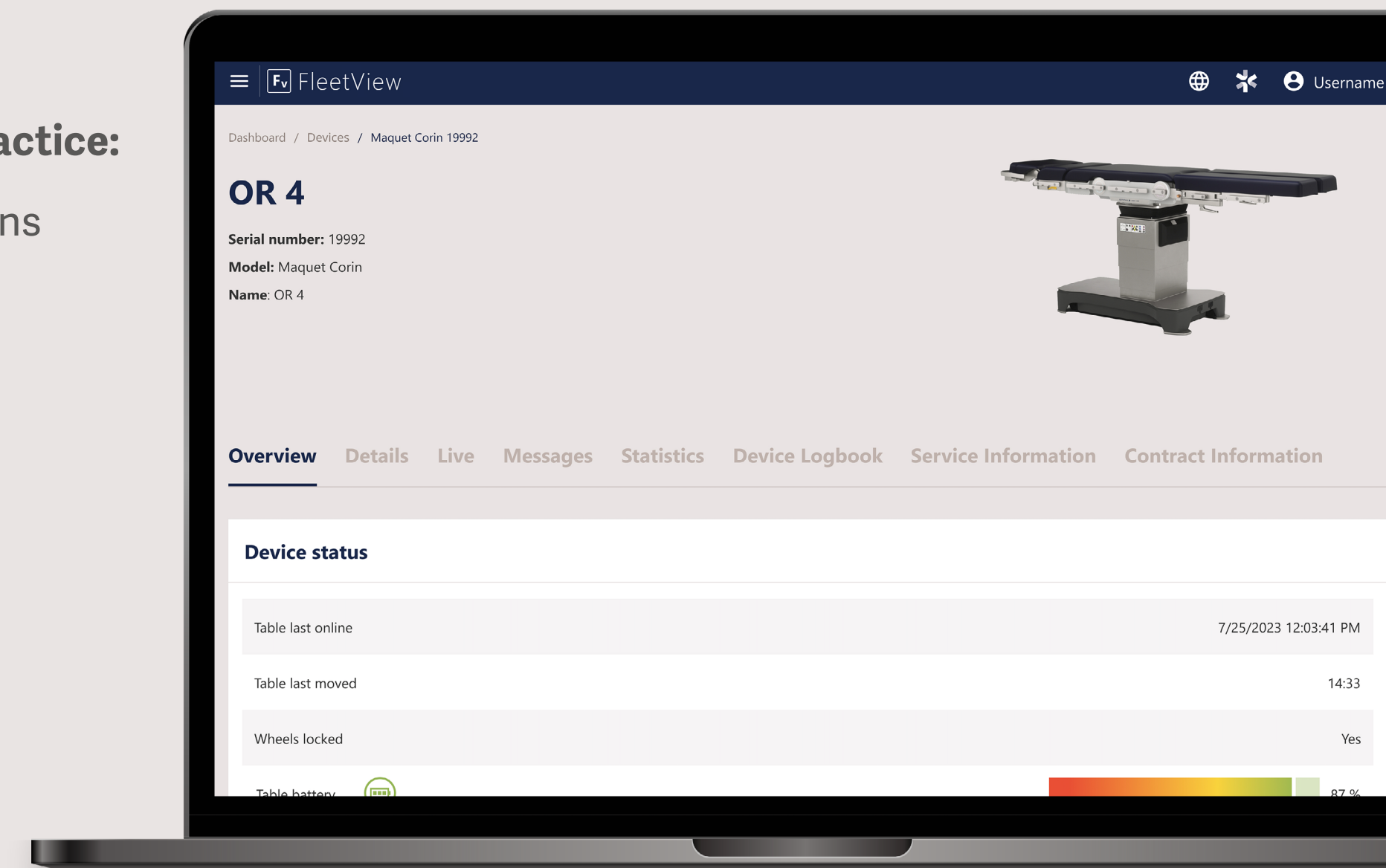
Through the connected OR table, biomed and service technicians can easily access a wide range of service data and usage statistics. Making sure the table is always ready to perform when needed for a surgery.

Online via the FleetView web portal

- Maximize device uptime in your OR
- Easy service and maintenance
- Quick remote support from Getinge
- Machines up and running, ready to perform

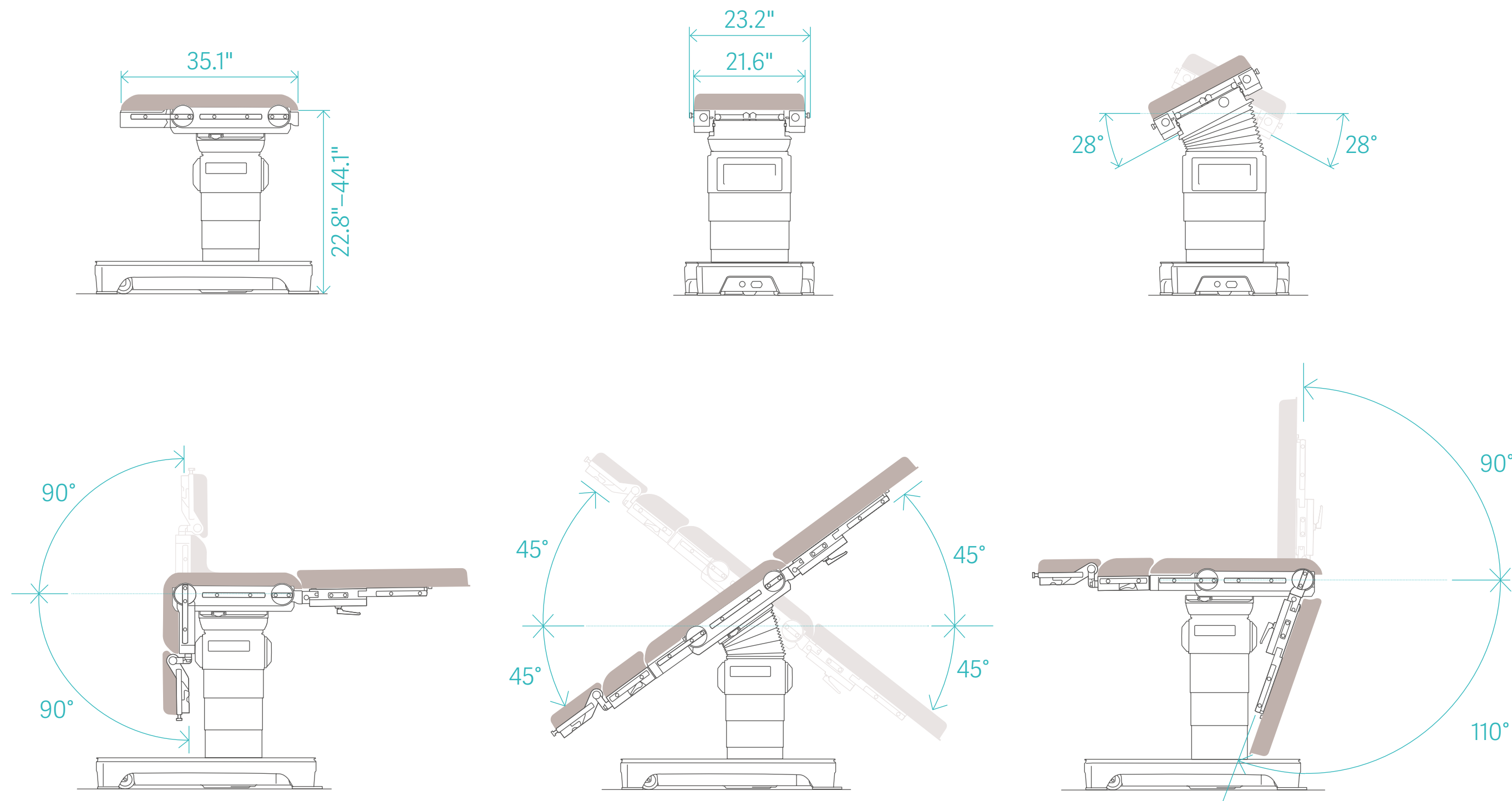
Turn insights into best practice:

- Identify trends for actions
- Improve training and drive efficiency



Technical specifications

Take a detailed look at Maquet Corin



Dimensions

Length of basic table top	892.5 mm ±5 mm / 35.1 ±0.20"
Width of basic table top	548 mm ±5 mm / 21.6 ±0.20"
Width of basic table top with side rails	590 mm ±10 mm / 23.2 ±0.39"
Height (without pad)	580–1,120 mm ±10 mm / 22.8–44.1 ±0.39"

Adjustment ranges

Longitudinal slide	460 mm ±5 mm / 18.1 ±0.20"
Trendelenburg / reverse Trendelenburg	45° ±3°
Combined Trendelenburg / tilt	30°/20°
Lateral tilt to the left / to the right	28° ±3°
Back plate normal mounting joint, up	90° ±2°
Back plate normal mounting joint, down	90° ±2°
Leg plate up	90° ±2°
Leg plate down	110° ±2°

Load capacity

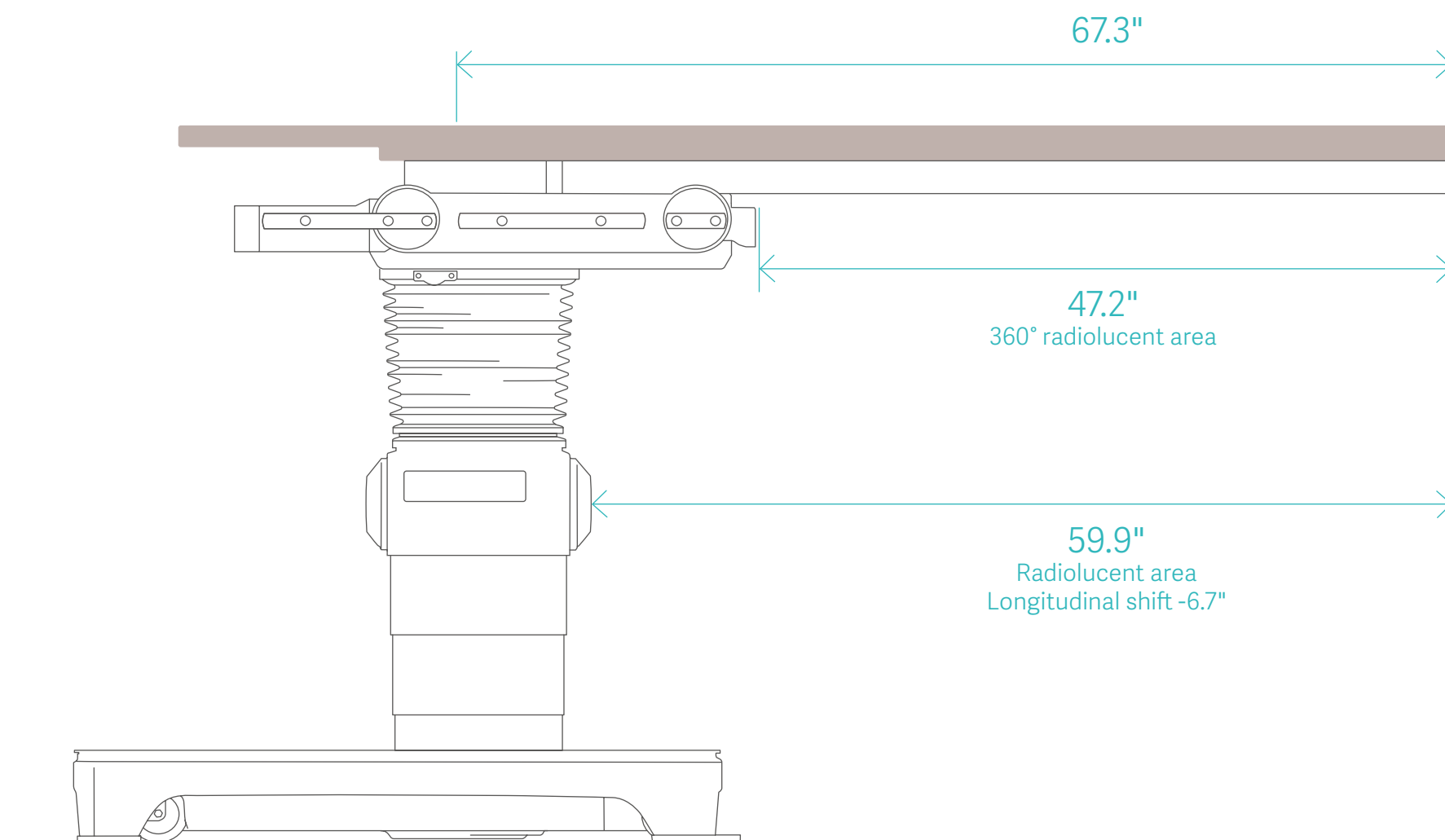
Maximum load capacity	1,200 lbs
Refers to unlocked weight capacity	660 lbs

U.S. version is equipped with kidney bridge.

Technical specifications

Optimized for imaging access

With insertable CF plate
116045xx



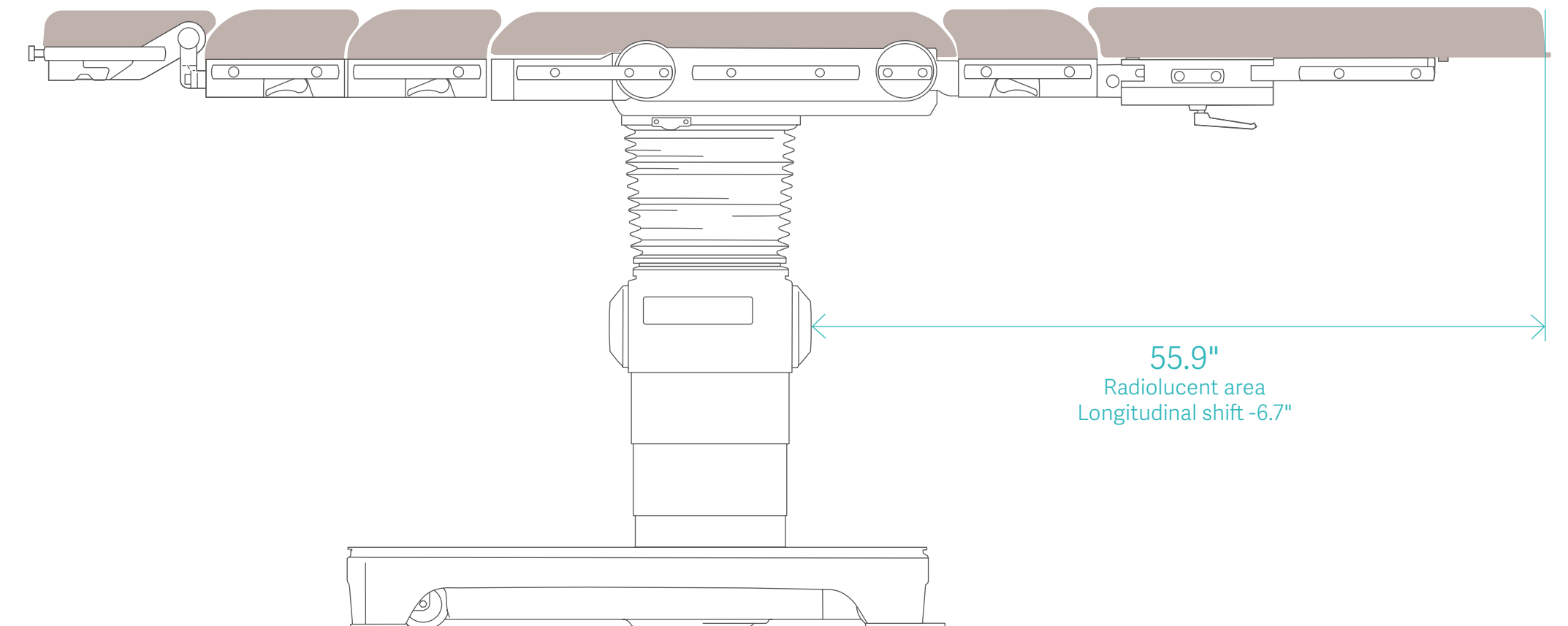
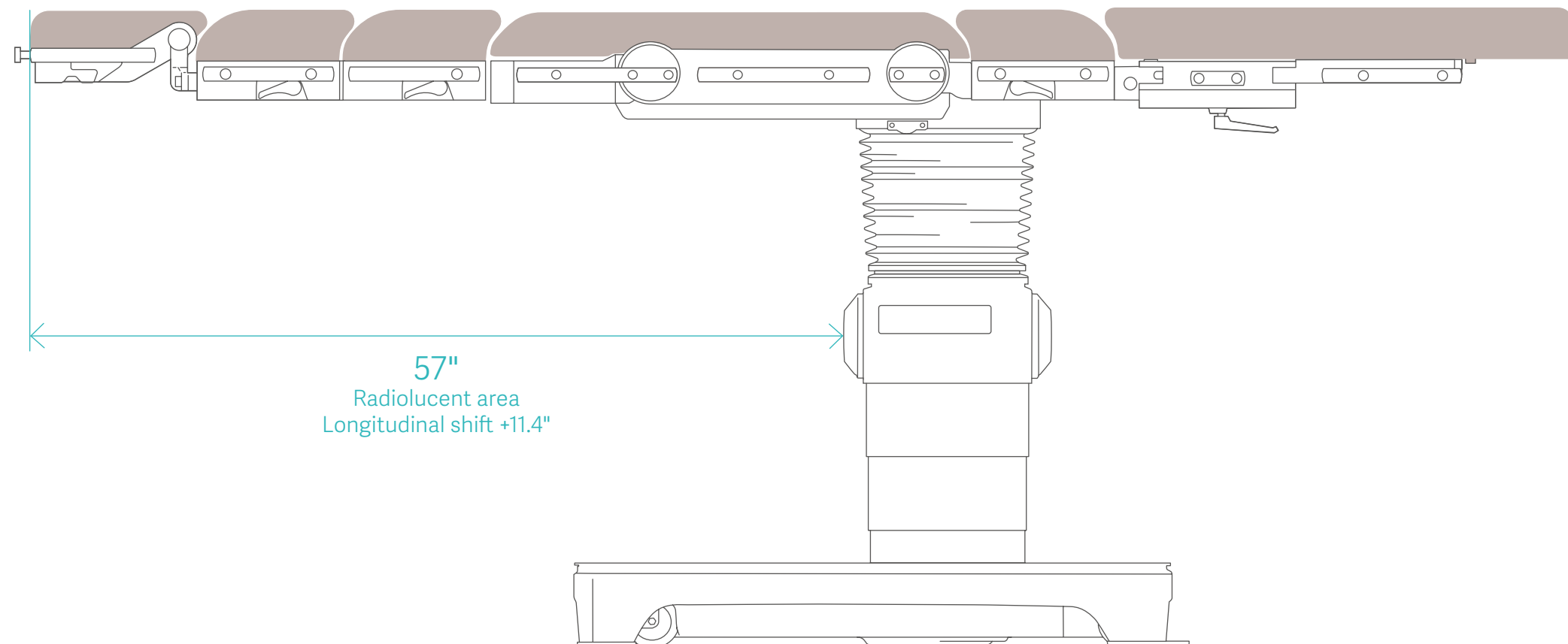
Technical specifications

Optimized for imaging access

With standard accessories / modules in NORMAL orientation

(116032/55xx, 116053xx, 116050xx)

Full articulation possible



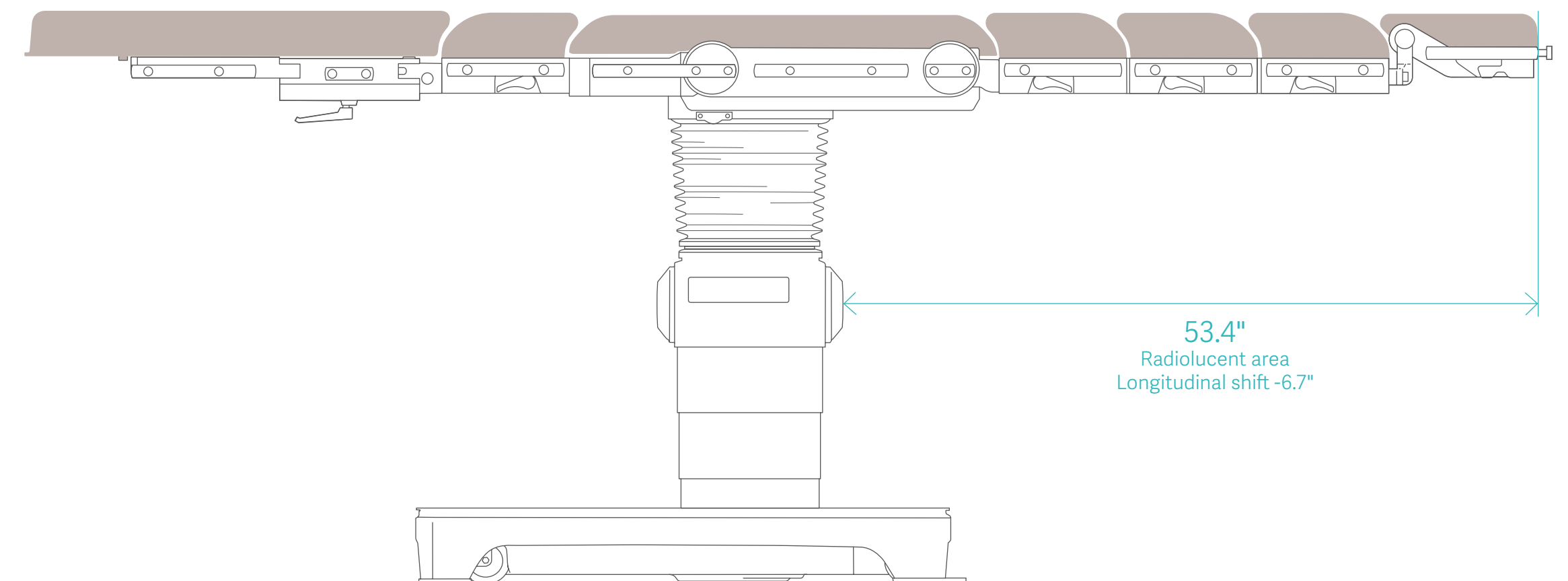
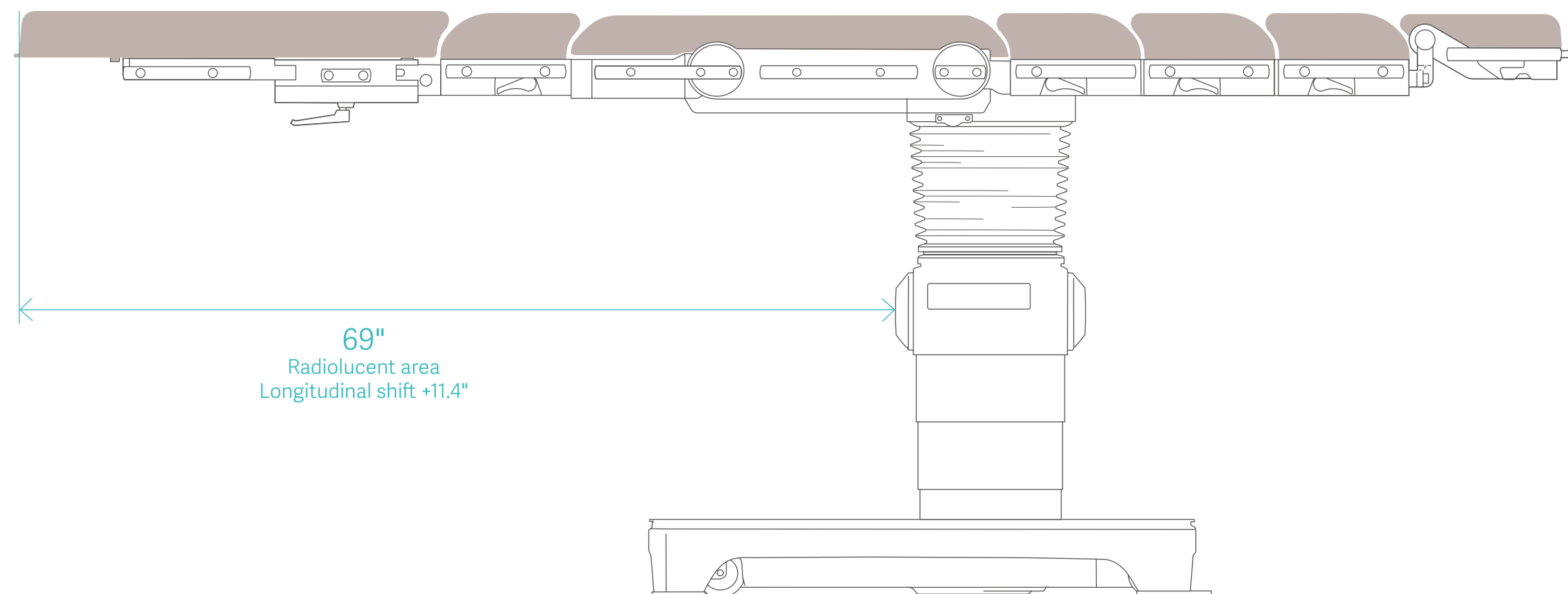
Technical specifications

Optimized for imaging access

With standard accessories / modules in REVERSE orientation

(116032/55xx, 116053xx, 116050xx)

Full articulation possible





Getinge is a registered trademark of Getinge AB, its subsidiaries, or affiliates in the United States or other countries.
· Copyright 2024 Getinge AB or its subsidiaries or affiliates · All rights reserved.

Sales Office, US · 1 Geoffrey Way · Wayne, NJ 07470

Sales Office, Canada · 90 Matheson Blvd West, Suite 300 · Mississauga, Ontario L5R 3R3 · Canada

www.getinge.com

MCV00111305 REVA